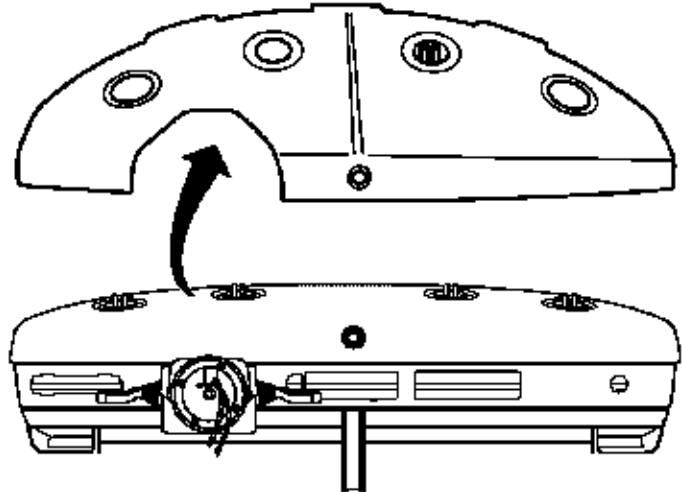


## Air Vents, Remove and Install



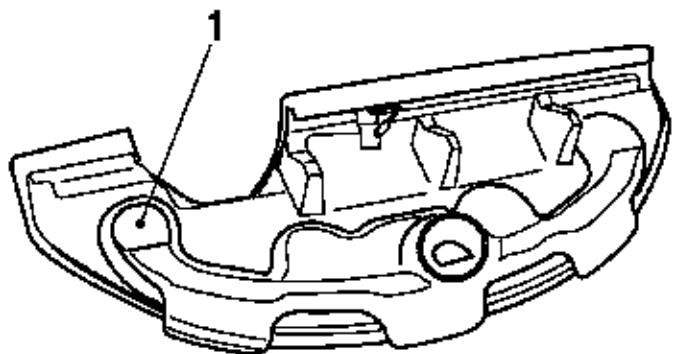
**Remove**

Instrument pad assembly from vehicle – see operation "Instrument Pad Assembly, Remove and Install" in group C.



**T 9577**

Air duct (1) from instrument pad assembly – screws.



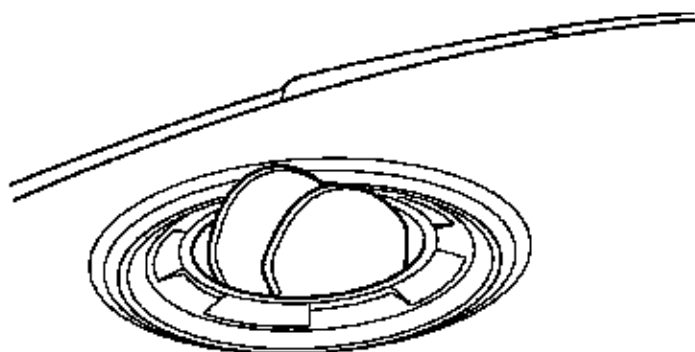
**T 9578**

Air vents from instrument pad assembly – pull out in direction of arrow from under instrument pad assembly to release from clips.



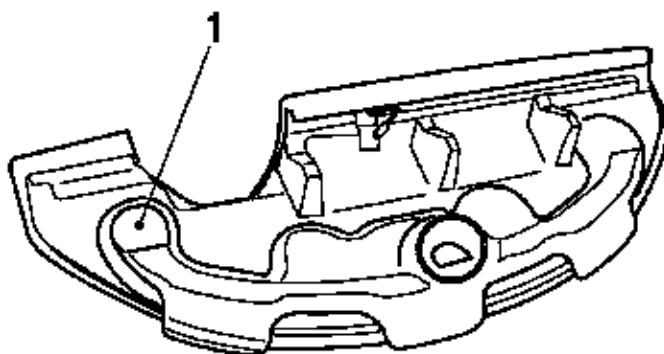
**Install**

Air vents to instrument pad assembly – push in to engage in clips.



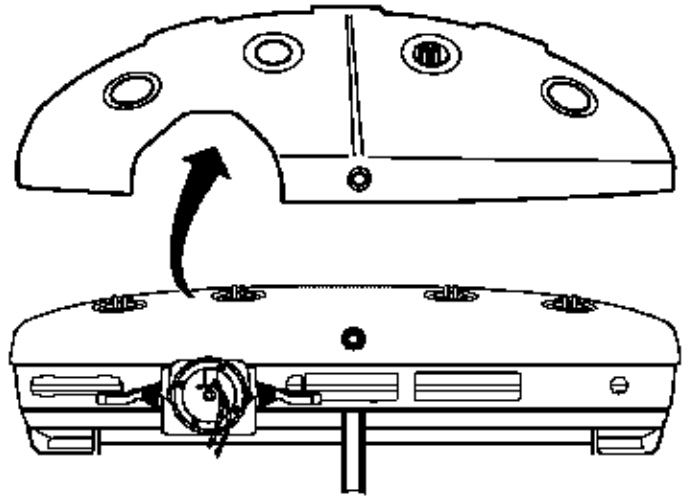
T 9579

Air duct (1) to instrument pad assembly – screws.



T 9578

Instrument pad assembly to vehicle – see operation "Instrument Pad Assembly, Remove and Install" in group C.



T 9577